

EL[®]MARK

The Brand of Electricity

PROXIMITY SWITCH – LM SERIES

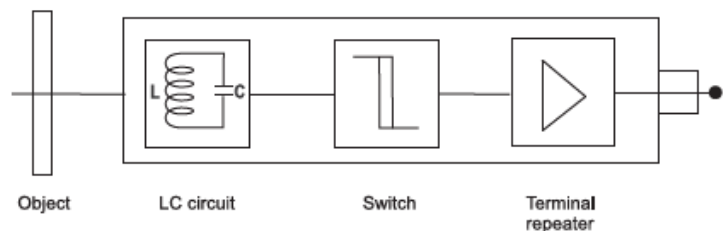


Description:

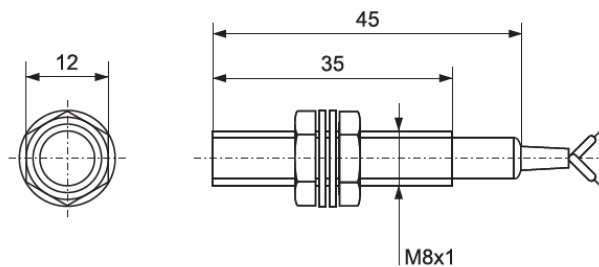
Proximity induction sensors are all-purpose switches used in machine systems and equipment for no contact surveillance of metal elements motion. They can also be used in other machine systems applications as no contact control sensors for level of liquids, control sensors for the speed and position of rotating chains, etc. They are developed on the base of PNP and NPN transition. They have small dimensions and feature a metal cylindrical shell resistant to vibrations and a plastic lid which is oil and water resistant.

Technical data:

- Insulating resistance: $\geq 50 \text{ M } \Omega$
- Gearing distance: from 2 mm to 7 mm
- Precision of repetition: 0.01
- Ambient temperature: -25°C to $+65^{\circ}\text{C}$
- Gearing speed: 5mm/s
- Rated voltage: 6~36VDC; 90~230VAC
- IP code: IP 67



Variants and Dimensions:



Type	Start distance (mm)	Power supply voltage	Type of transition	Type of contact	Output load	Catalogue number
EL-LM8-3002NA	2	15~30 VDC	NPN	NO	130 mA	46LM 8-32NA
EL-LM8-3002NB	2	15~30 VDC	NPN	NC	130 mA	46LM 8-32NB
EL-LM8-3002PA	2	15~30 VDC	PNP	NO	130 mA	46LM 8-32PA
EL-LM8-3002PB	2	15~30 VDC	PNP	NC	130 mA	46LM 8-32PB
EL-LM8-2002A	2	90~230VAC SCR	SCR	NO	150 mA	46LM 8-22A

TECHNICAL SPECIFICATION

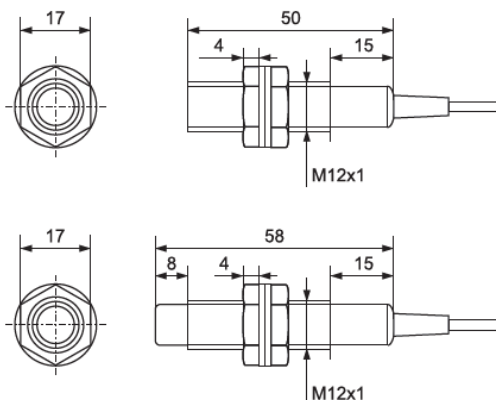
PROXIMITY SENSOR

ELMARK

The Brand of Electricity



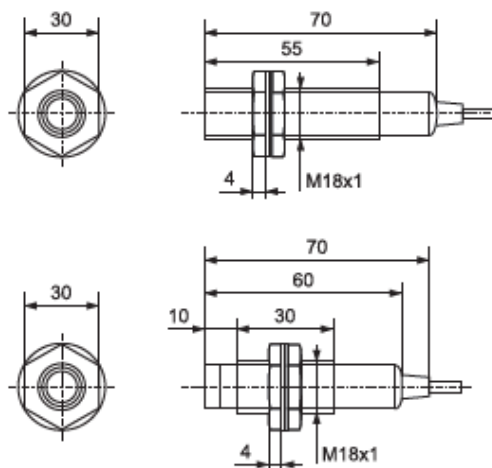
EL-LM12



Type	Start distance (mm)	Power supply voltage	Type of transition	Type of contact	Output load	Catalogue number
EL-LM12-3004NA	4	15~30 VDC	NPN	NO	200 mA	46LM 12-34NA
EL-LM12-3004NB	4	15~30 VDC	NPN	NC	200 mA	46LM 12-34NB
EL-LM12-3004PA	4	15~30 VDC	PNP	NO	200 mA	46LM 12-34PA
EL-LM12-3004PB	4	15~30 VDC	PNP	NC	200 mA	46LM 12-34PB
EL-LM12-2004A	4	90~230VAC SCR	SCR	NO	300 mA	46LM 12-24A



EL-LM18



Type	Start distance (mm)	Power supply voltage	Type of transition	Type of contact	Output load	Catalogue number
EL-LM18-3008NA	8	15~30 VDC	NPN	NO	200 mA	46LM 18-38NA
EL-LM18-3008NB	8	15~30 VDC	NPN	NC	200 mA	46LM 18-38NB
EL-LM18-3008PA	8	15~30 VDC	PNP	NO	200 mA	46LM 18-38PA
EL-LM18-3008PB	8	15~30 VDC	PNP	NC	200 mA	46LM 18-38PB
EL-LM18-2008A	8	90~230VAC SCR	SCR	NO	300 mA	46LM 18-28A

TECHNICAL SPECIFICATION

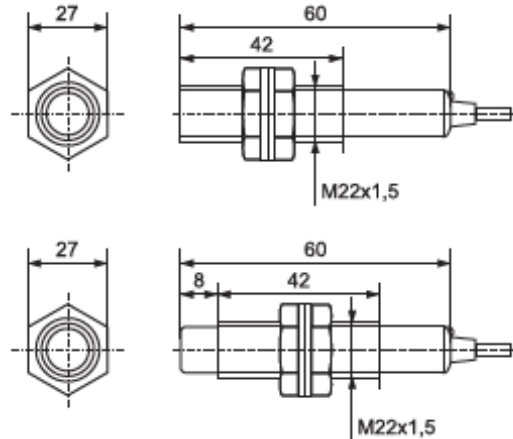
PROXIMITY SENSOR

ELMARK

The Brand of Electricity

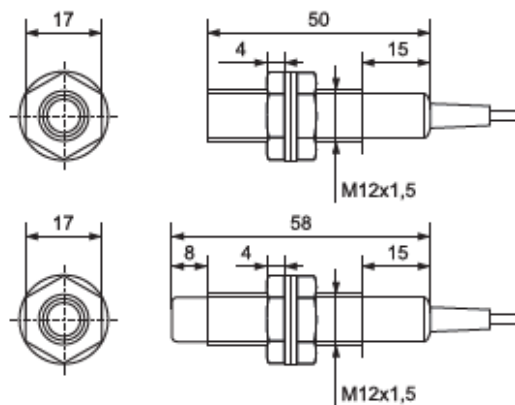


EL-LM22



Type	Start distance (mm)	Power supply voltage	Type of transition	Type of contact	Output load	Catalogue number
EL-LM22-3010NA	10	15~30 VDC	NPN	NO	200 mA	46LM 22-30NA
EL-LM22-3010NB	10	15~30 VDC	NPN	NC	200 mA	46LM 22-30NB
EL-LM22-3010PA	10	15~30 VDC	PNP	NO	200 mA	46LM 22-30PA
EL-LM22-3010PB	10	15~30 VDC	PNP	NC	200 mA	46LM 22-30PB
EL-LM22-2010A	10	90~230VAC SCR	SCR	NO	300 mA	46LM 22-20A

INDUCTIVE PROXIMITY SWITCHES



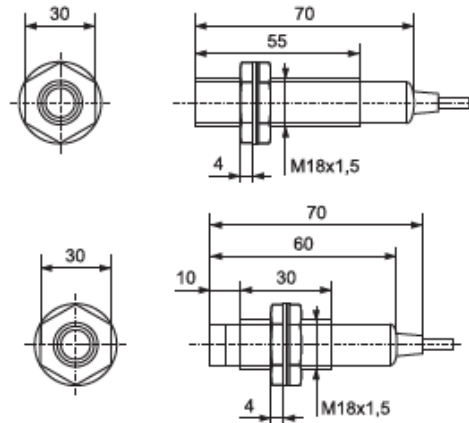
Type	Start distance (mm)	Power supply voltage	Type of transition	Type of contact	Output load	Catalogue number
EL-LM12-4002A	2	230VAC	inductive	NO	100 mA	46LM 12-44A
EL-LM12-4004A	4	230VAC	inductive	NO	300 mA	46LM 12-46A

TECHNICAL SPECIFICATION

PROXIMITY SENSOR

ELMARK[®]

The Brand of Electricity



Type	Start distance (mm)	Power supply voltage	Type of transition	Type of contact	Output load	Catalogue number
EL-LM18-4006A	5	230VAC	inductive	NO	100 mA	46LM 18-44A
EL-LM18-4008A	8	230VAC	inductive	NO	300 mA	46LM 18-48A

Additional information:

Catalogue number	Packing / Box (pcs)	Barcodes
46LM 8-32NA	2 / 200	3800131123992
46LM 8-32NB	2 / 200	3800131124005
46LM 8-32PA	2 / 200	3800131124012
46LM 8-32PB	2 / 200	3800131124029
46LM 8-22A	2 / 200	3800131124036
46LM 12-34NA	2 / 200	3800131124043
46LM 12-34NB	2 / 200	3800131124050
46LM 12-34PA	2 / 200	3800131124067
46LM 12-34PB	2 / 200	3800131124074
46LM 12-24A	2 / 200	3800131124081
46LM 18-38NA	1 / 100	3800131124098
46LM 18-38NB	1 / 100	3800131124104
46LM 18-38PA	1 / 100	3800131124111
46LM 18-38PB	1 / 100	3800131124128
46LM 18-28A	1 / 100	3800131124135
46LM 22-30NA	1 / 100	3800131124142

TECHNICAL SPECIFICATION

PROXIMITY SENSOR

ELMARK[®]

The Brand of Electricity

46LM 22-30NB	1 / 100	3800131124159
46LM 22-30PA	1 / 100	3800131124166
46LM 22-30PB	1 / 100	3800131124173
46LM 22-20A	1 / 100	3800131124180
46LM 12-44A	2 / 200	3800131124197
46LM 12-46A	2 / 200	3800131124203
46LM 18-44A	1 / 100	3800131124210
46LM 18-48A	1 / 100	3800131124227

